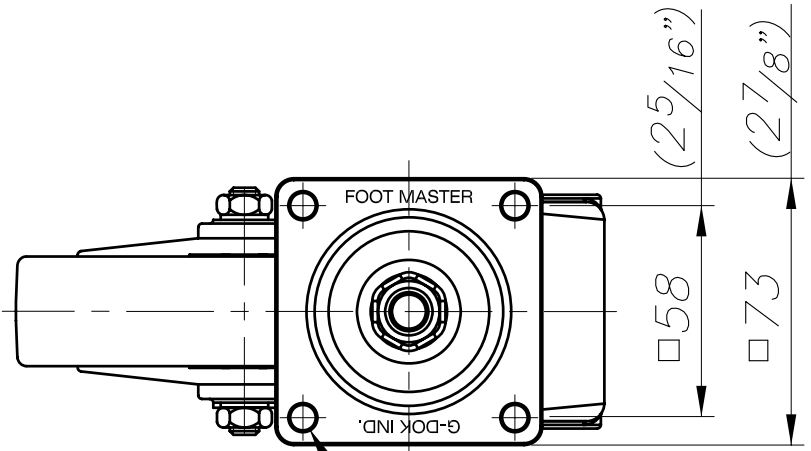
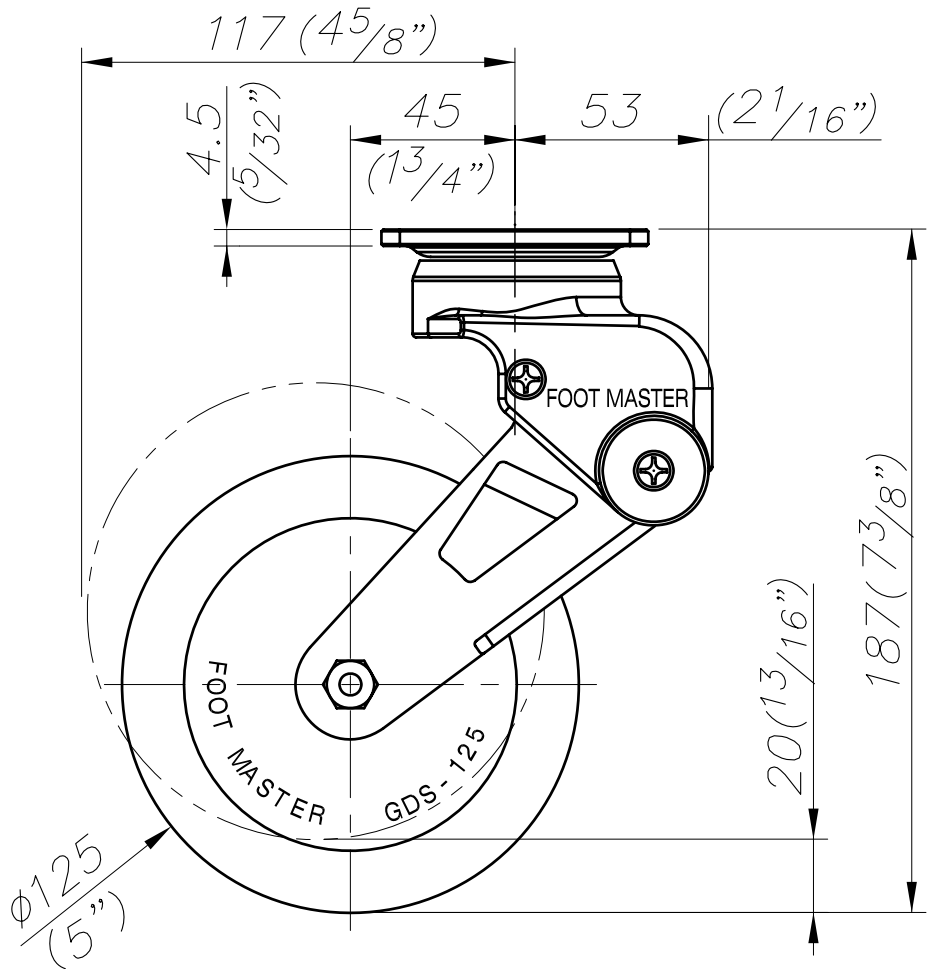
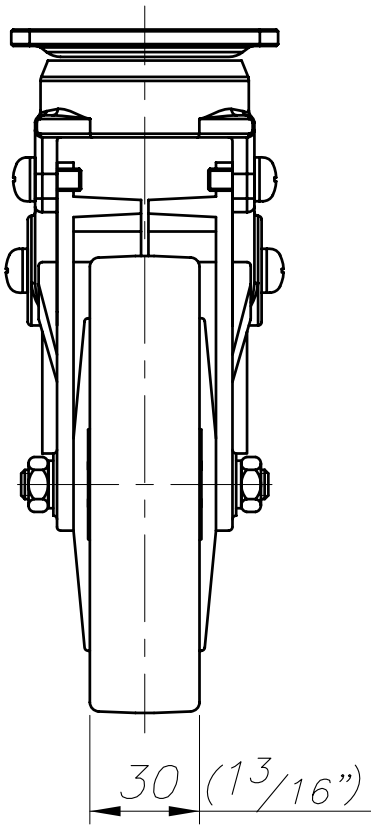


1
2
3
4
5
6
7
8
9
0

1
2
3
4
5
6
7
8
9
0



4- $\phi 7$ ($\frac{9}{32}$ ") HOLES



1
2
3
4
5
6
7
8
9
0

1
2
3
4
5
6
7
8
9
0

