

FOOT MASTER

G-DOK IND.

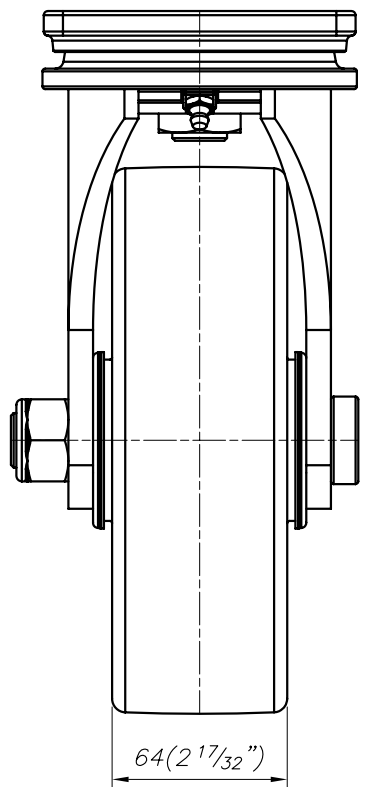
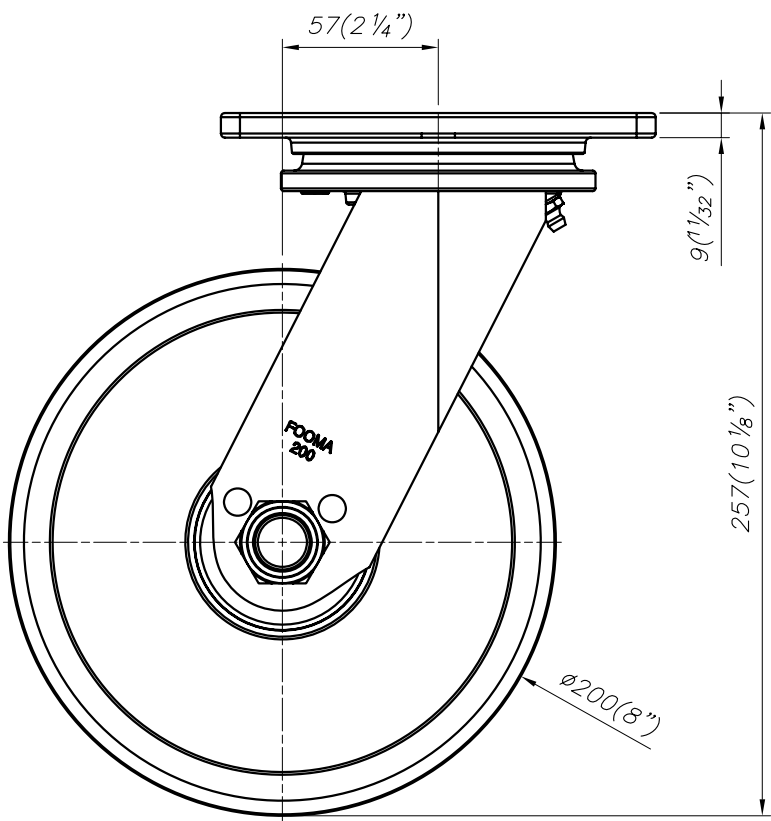
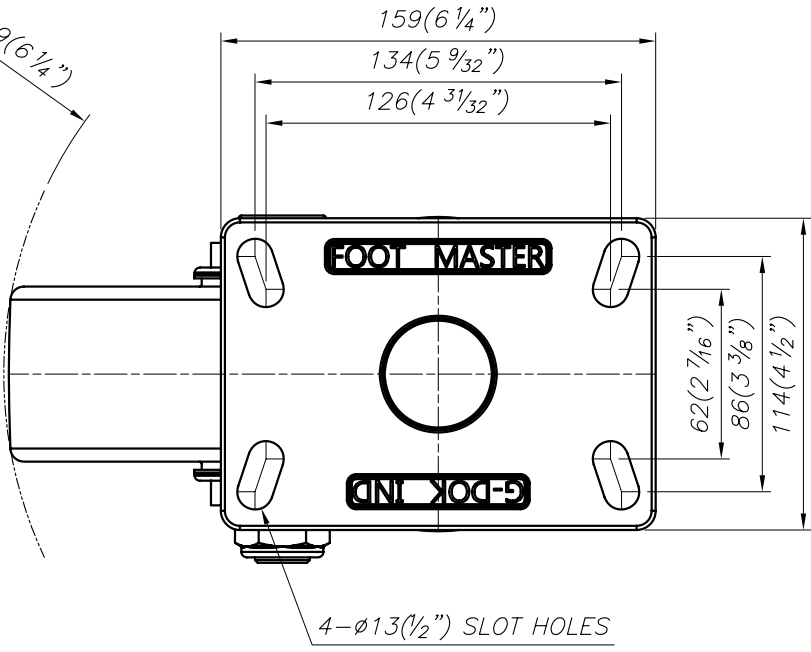
FOOT MASTER

G-DOK IND.

1  
2  
3  
4  
5  
6  
7  
8  
9  
0

1  
2  
3  
4  
5  
6  
7  
8  
9  
0

*R158.9(6 1/4")*



FOOT MASTER®

FOOMA®

G-DOK IND.

MODEL NAME

GF-200-ASF-MCD

A

B

C

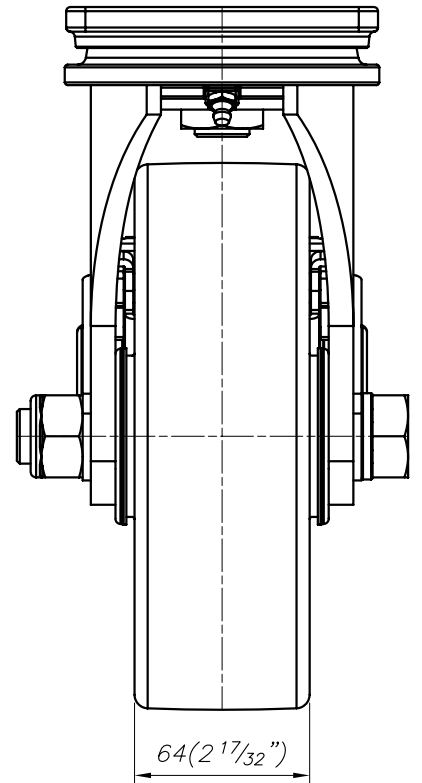
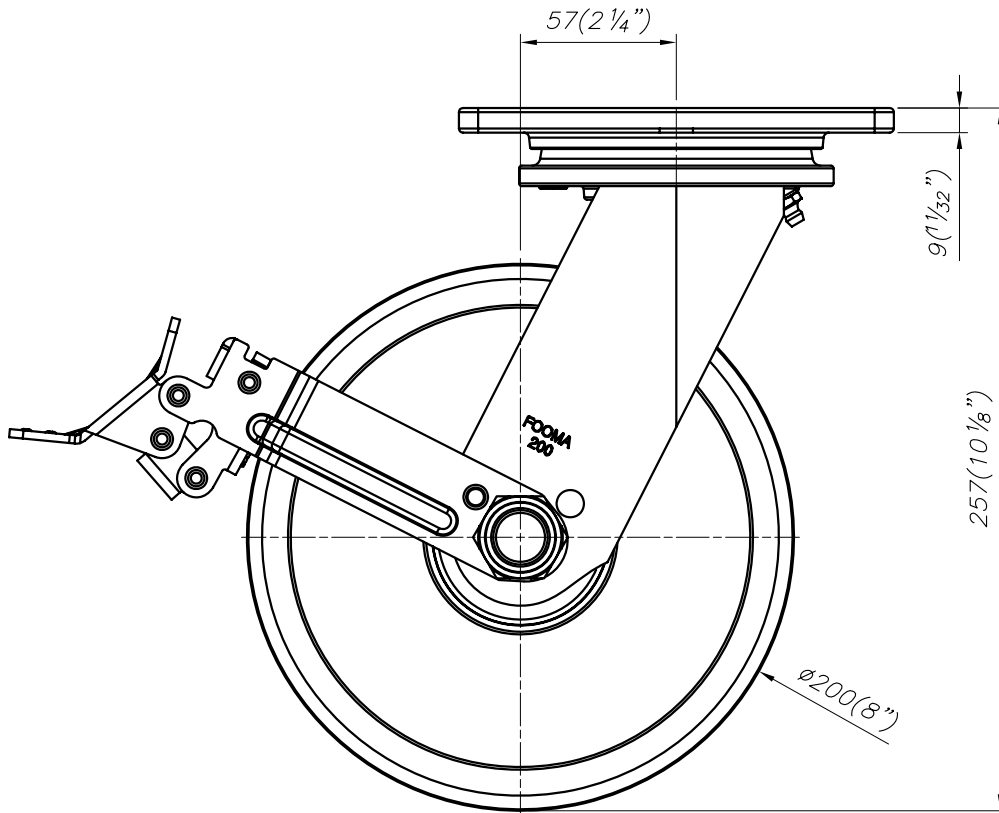
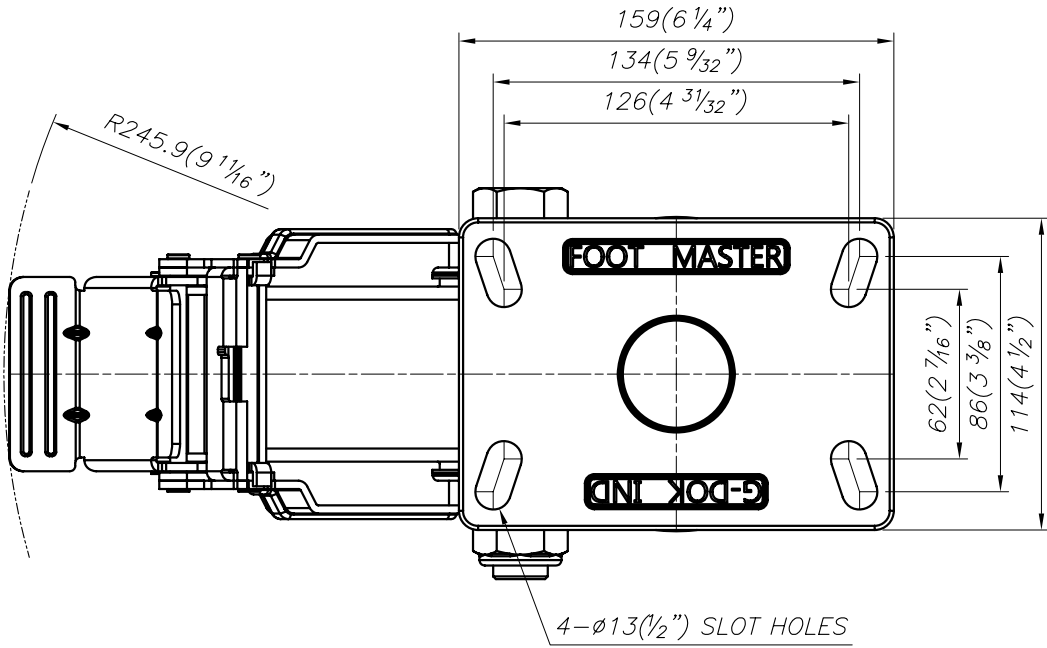
E

F

G

1  
2  
3  
4  
5  
6  
7  
8  
9  
0

1  
2  
3  
4  
5  
6  
7  
8  
9  
0



FOOT MASTER

G-DOK IND.

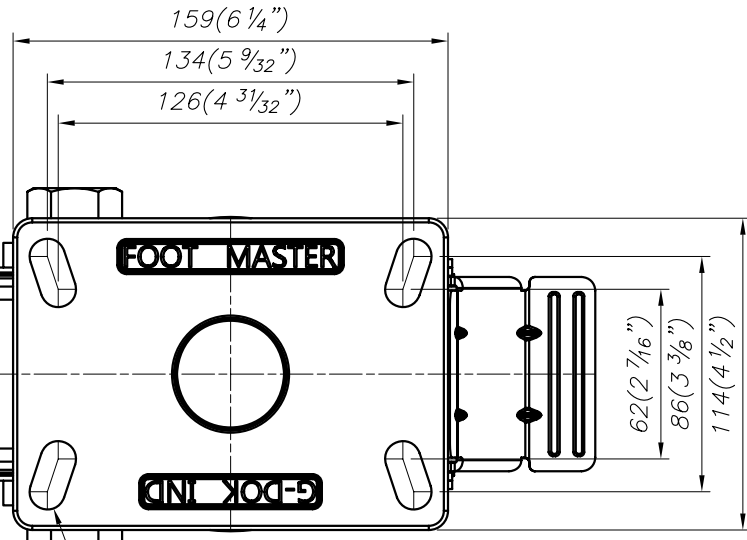
FOOT MASTER

G-DOK IND.

1  
2  
3  
4  
5  
6  
7  
8  
9  
0

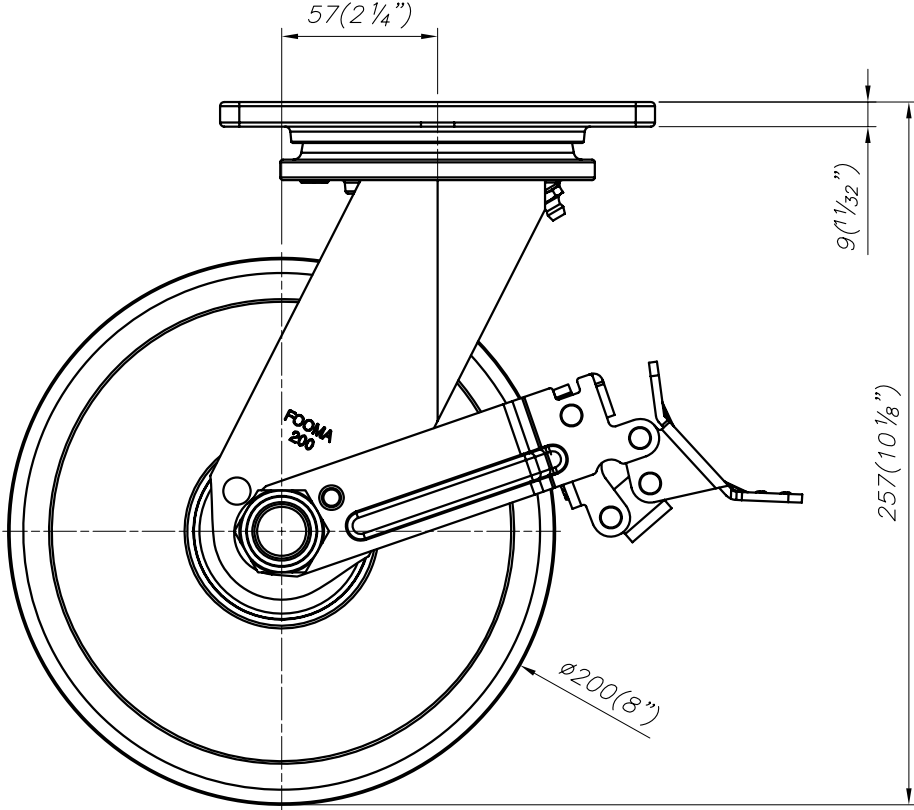
1  
2  
3  
4  
5  
6  
7  
8  
9  
0

$R158.9(6\frac{1}{4}"$ )



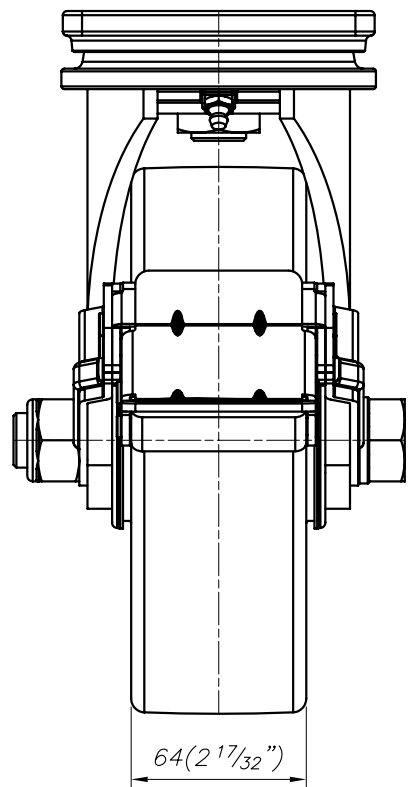
4- $\phi 13(\frac{1}{2}"$ ) SLOT HOLES

57(2 1/4")



FOOMA  
200

$\phi 200(8)"$



64(2 17/32")

FOOT MASTER®

FOOMA®

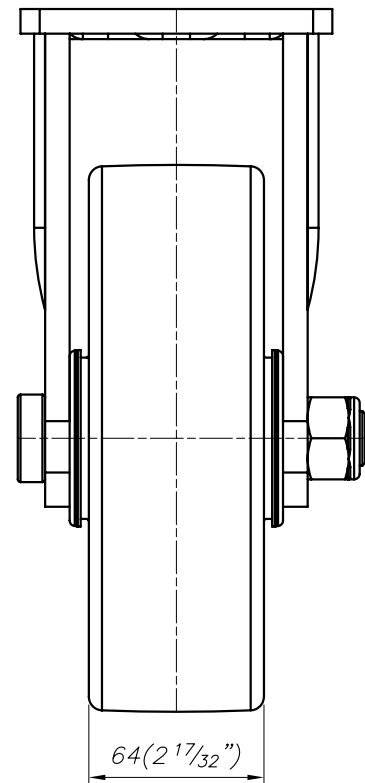
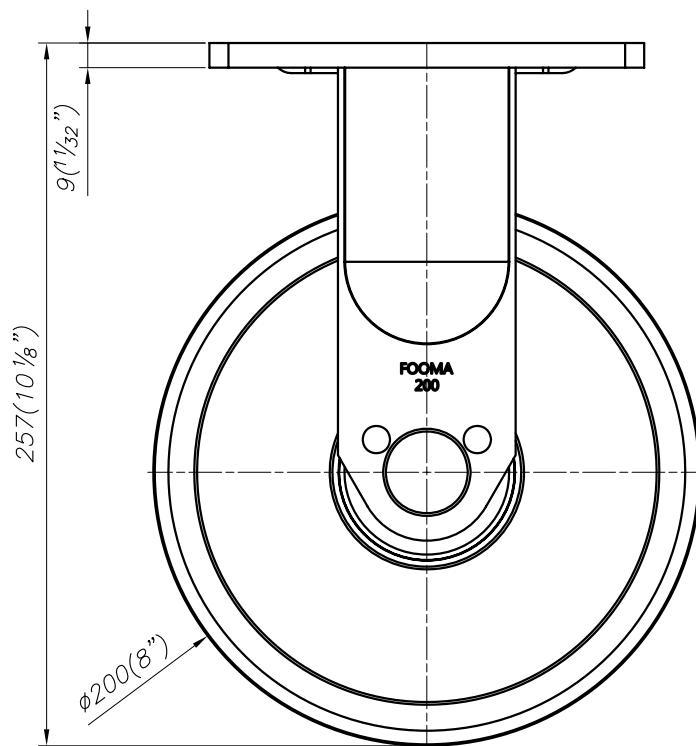
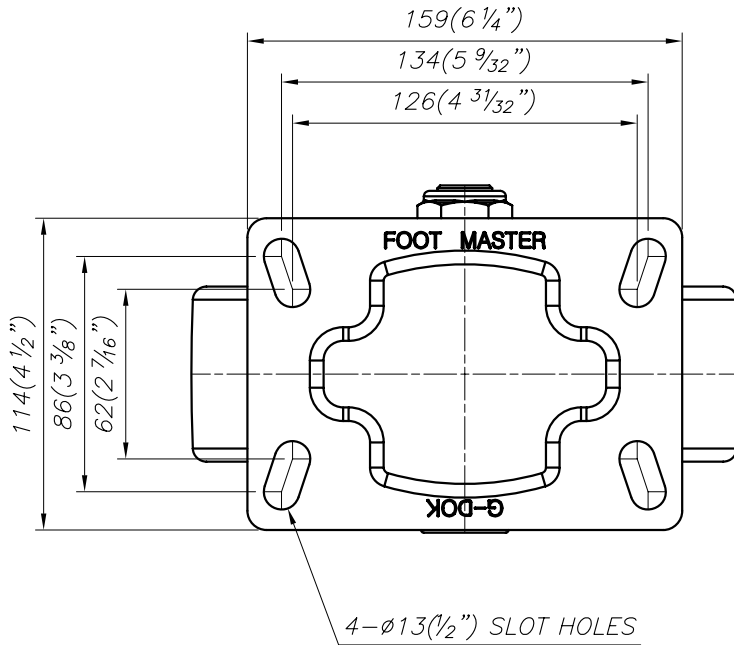
G-DOK IND.

MODEL NAME GF-200-BSF-MCD-FNT

A B C D E F G

1  
2  
3  
4  
5  
6  
7  
8  
9  
0

1  
2  
3  
4  
5  
6  
7  
8  
9  
0



FOOT MASTER

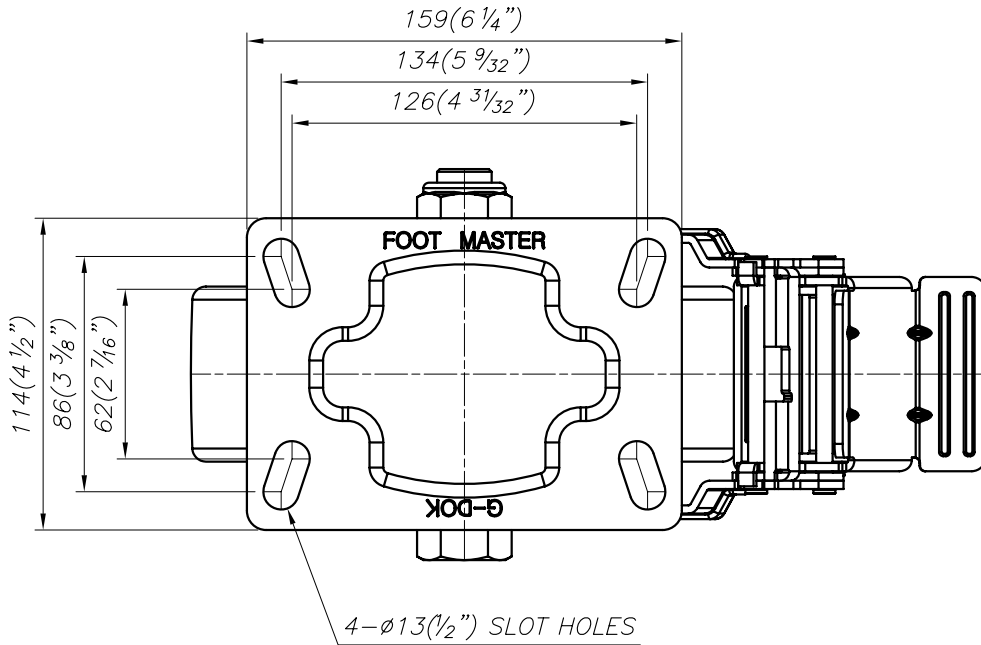
G-DOK IND.

FOOT MASTER

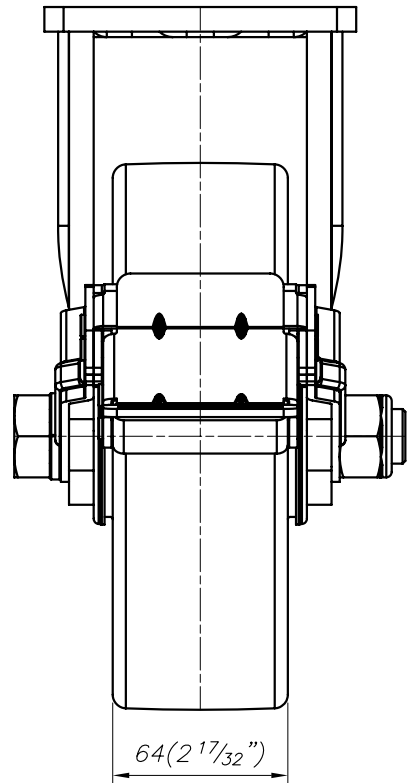
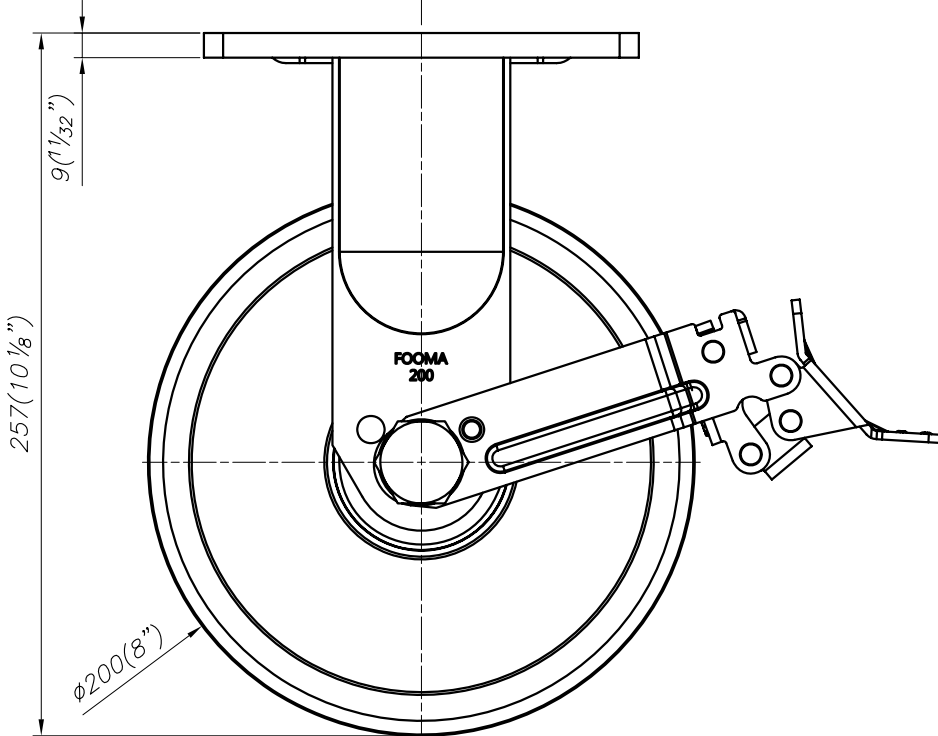
G-DOK IND.

1  
2  
3  
4  
5  
6  
7  
8  
9  
0

1  
2  
3  
4  
5  
6  
7  
8  
9  
0



190.5(7 1/2")



FOOT MASTER®

FOOMA®

G-DOK IND.

MODEL NAME

GF-200-BRF-MCD

A

B

C

E

F

G