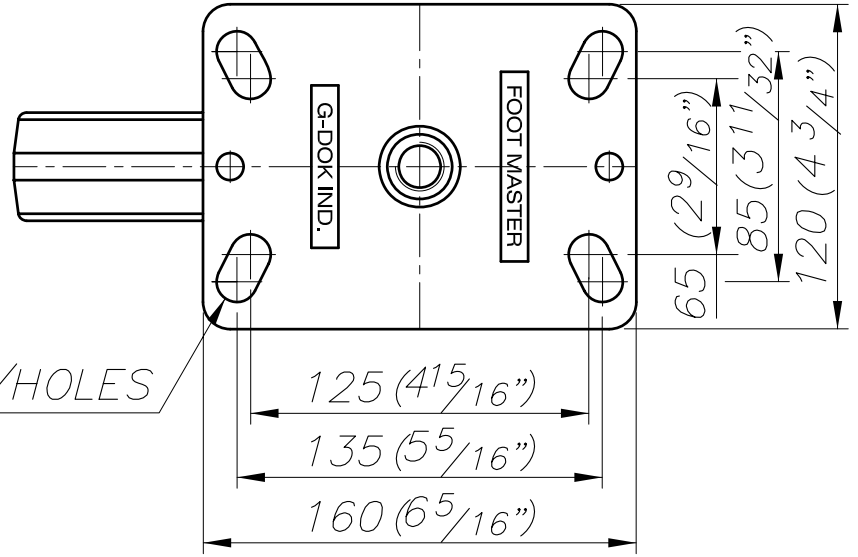
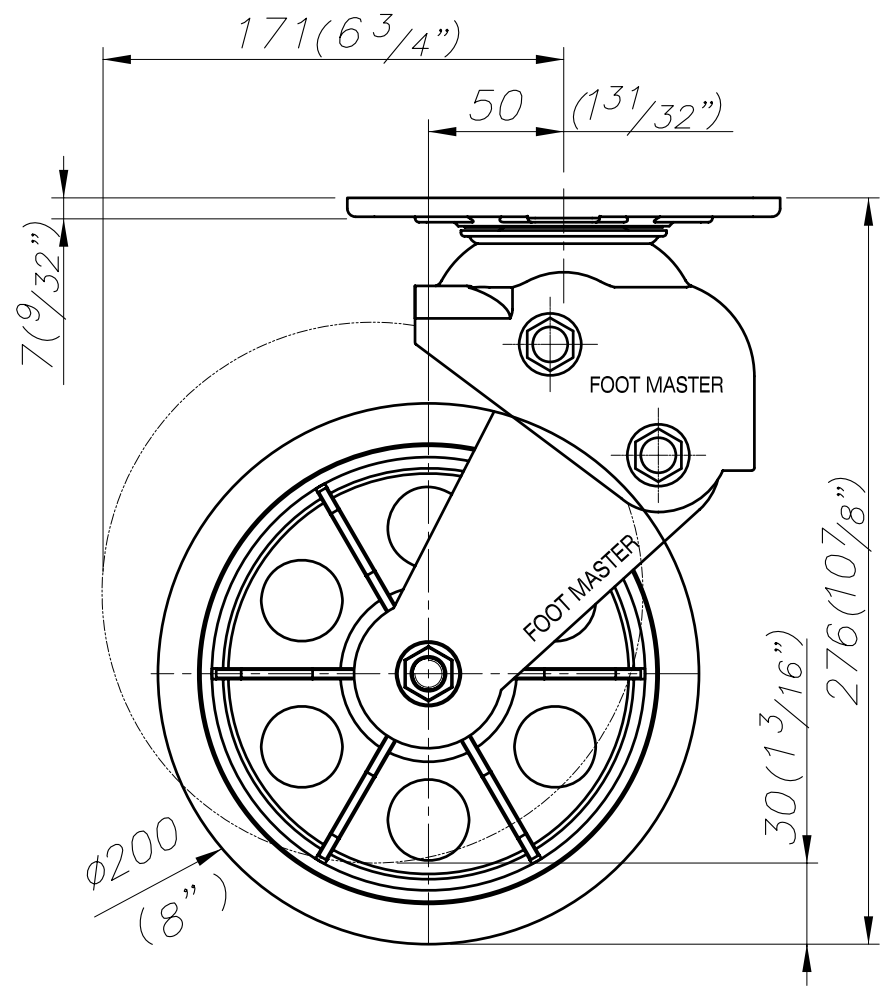
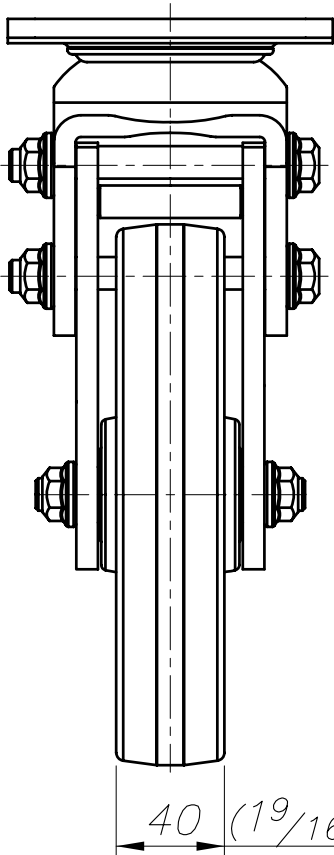


1
2
3
4
5
6
7
8
9
0

1
2
3
4
5
6
7
8
9
0

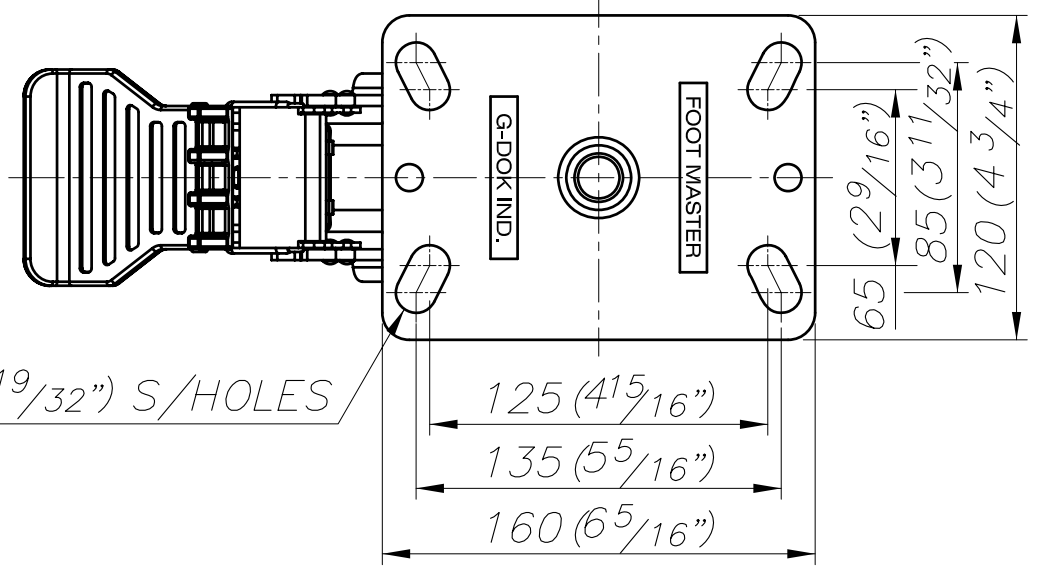


4- $\phi 15 (19/32")$ S/HOLES



1
2
3
4
5
6
7
8
9
0

1
2
3
4
5
6
7
8
9
0



4- $\phi 15$ (1 9/32") S/HOLES

