

FOOT MASTER

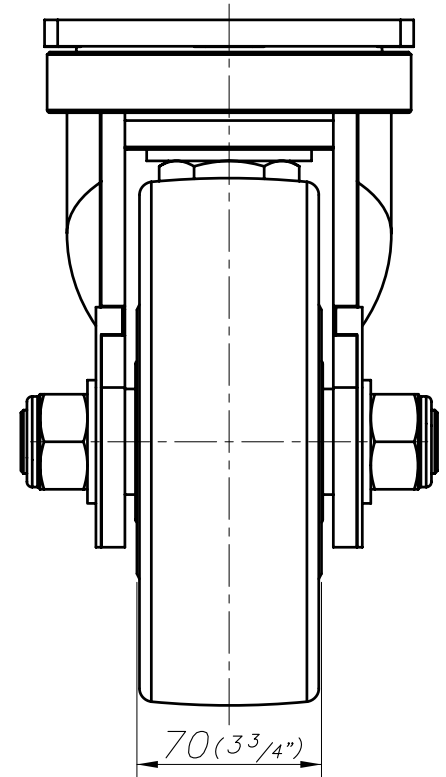
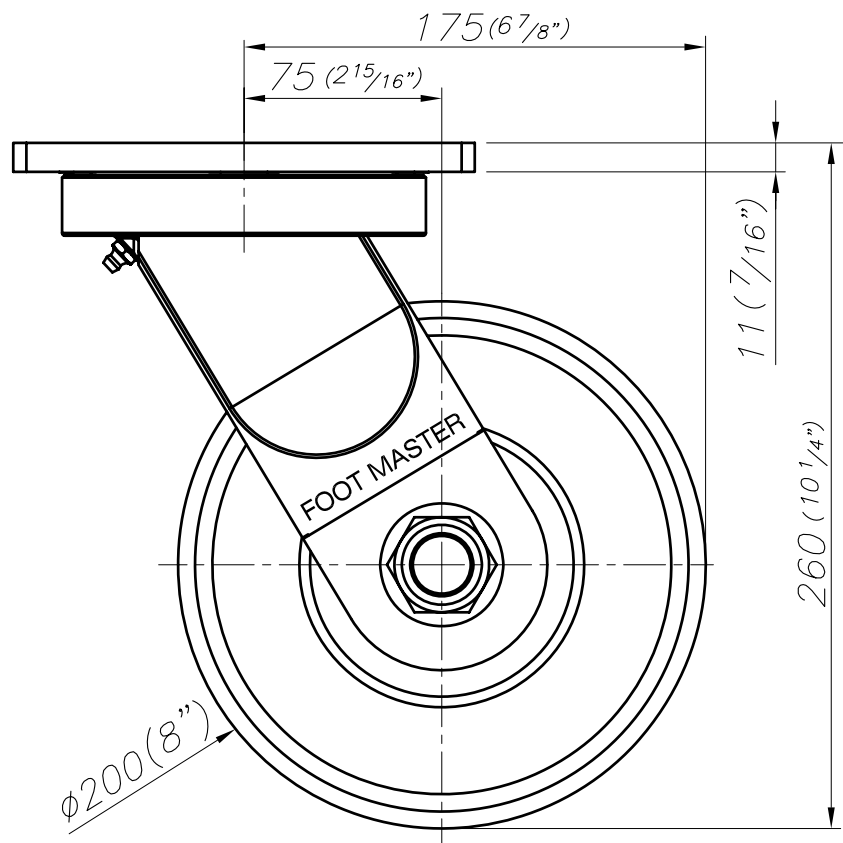
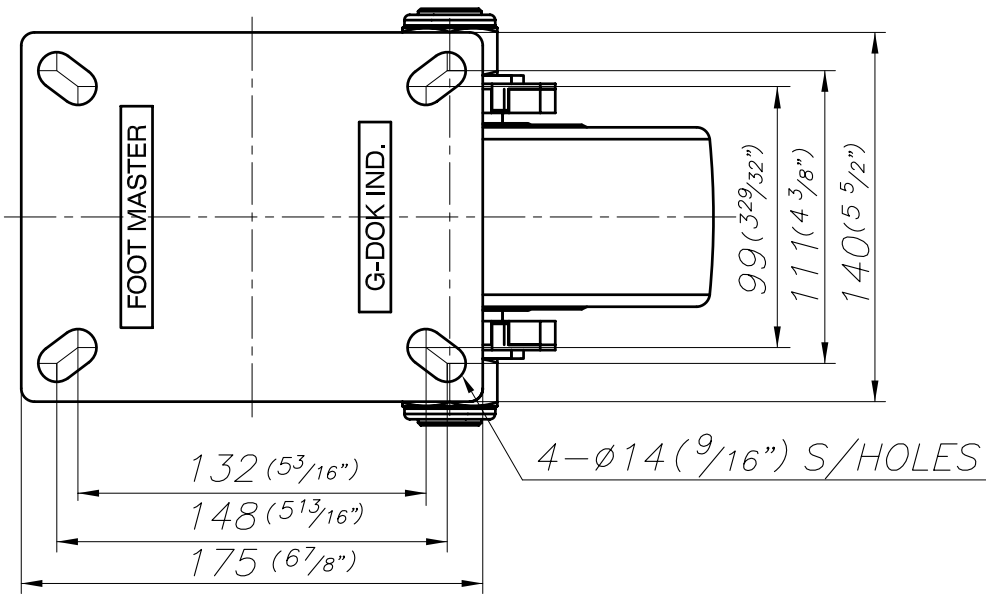
G-DOK IND.

FOOT MASTER

G-DOK IND.

1  
2  
3  
4  
5  
6  
7  
8  
9  
0

1  
2  
3  
4  
5  
6  
7  
8  
9  
0



FOOT MASTER®	FOOMA®	G-DOK IND.	MODEL NAME	GXT-200-ASF-MCD
--------------	--------	------------	------------	-----------------

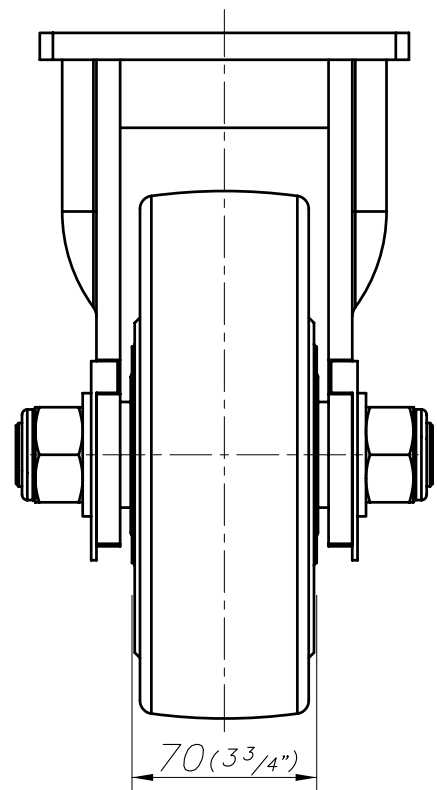
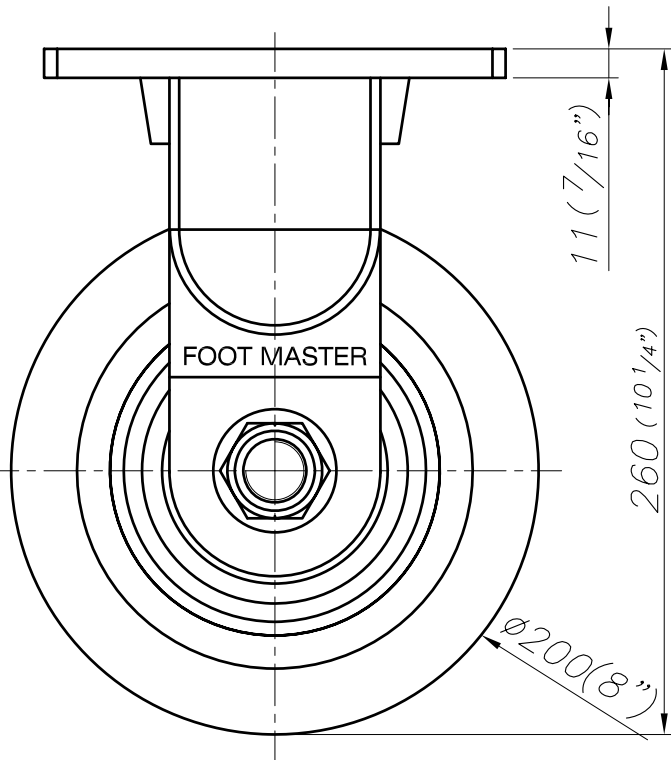
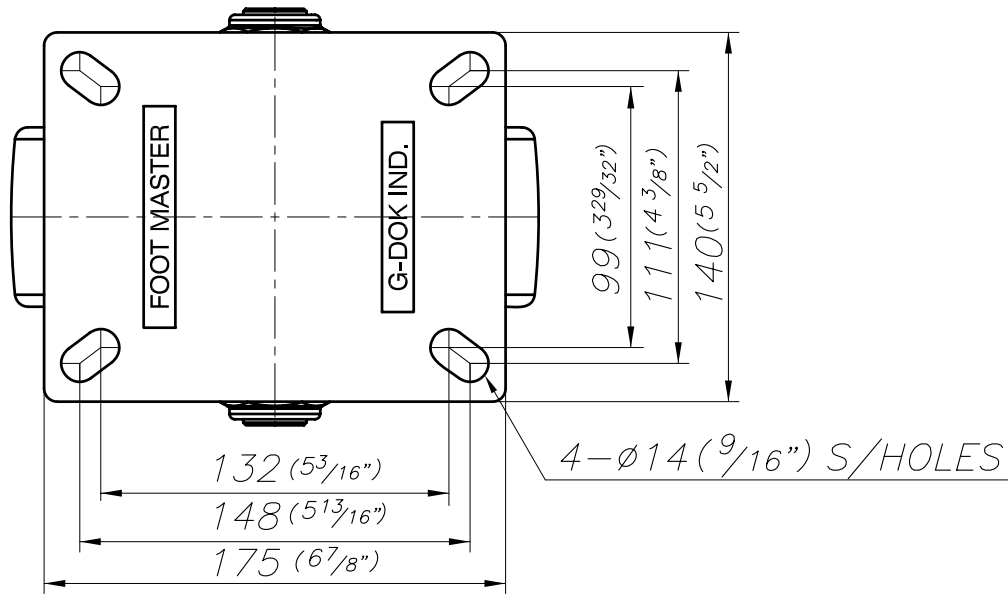
A	B	C	E	F	G
---	---	---	---	---	---

FOOT MASTER

G-DOK IND.

FOOT MASTER

G-DOK IND.



FOOT MASTER®

FOOMA®

G-DOK IND.

MODEL NAME

GXT-200-ARF-MCD

A

B

C

E

F

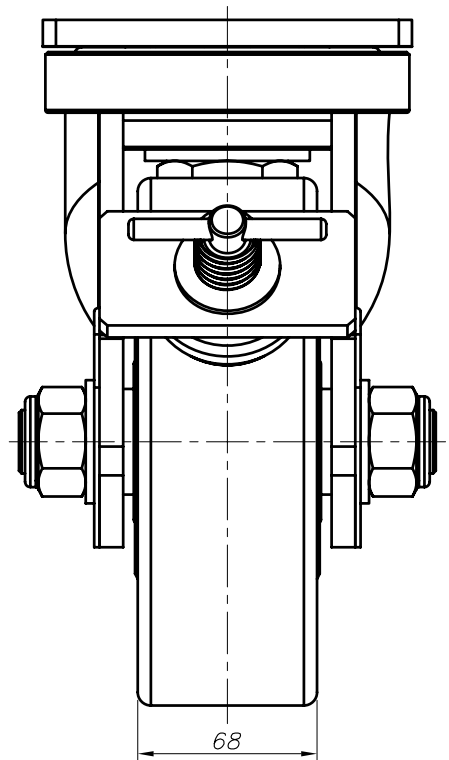
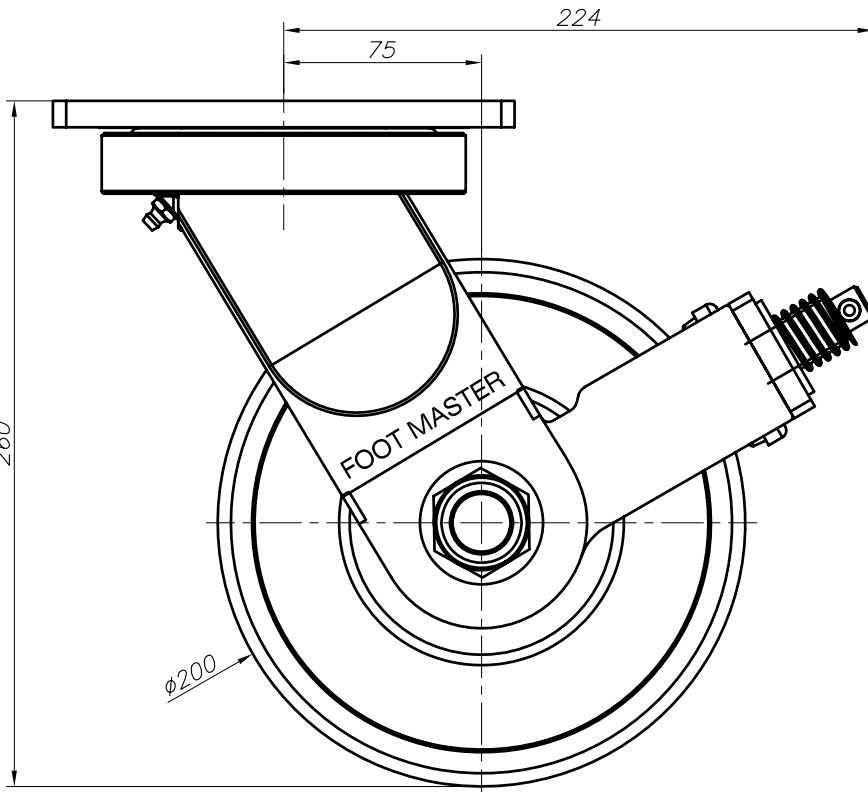
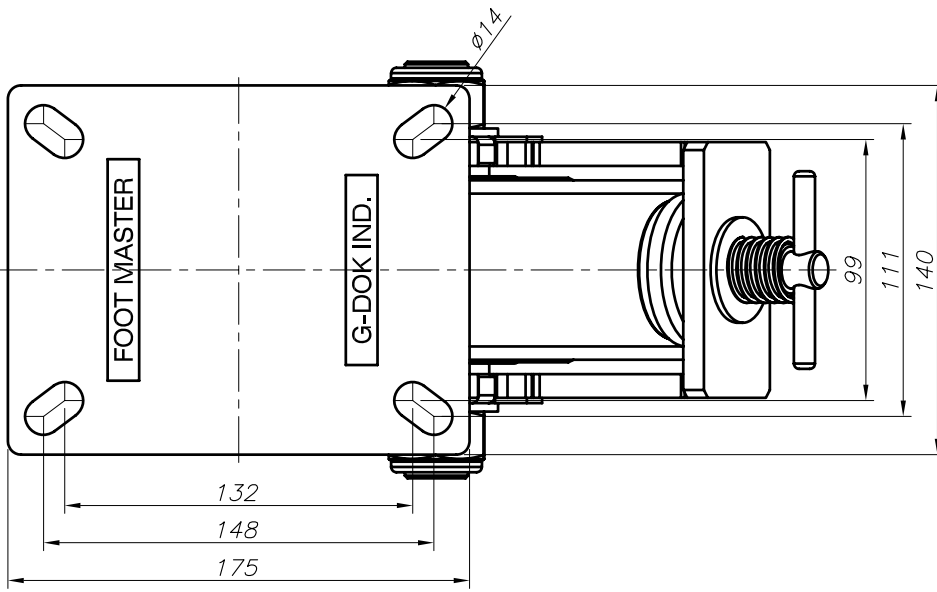
G

FOOT MASTER

G-DOK IND.

FOOT MASTER

G-DOK IND.



FOOT MASTER®

FOOMA®

G-DOK IND.

MODEL NAME

GXT-200-BSF-MCD

A

B

C

E

F

G