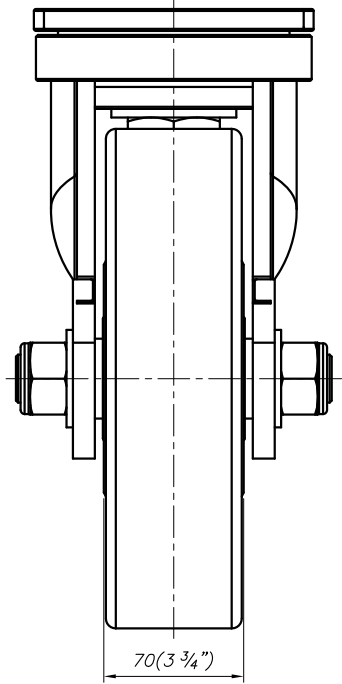
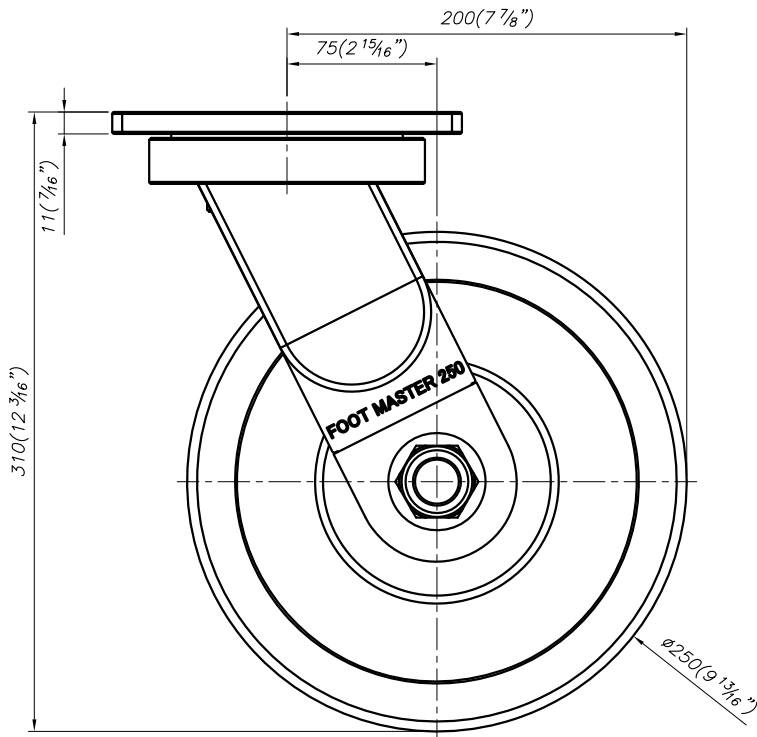
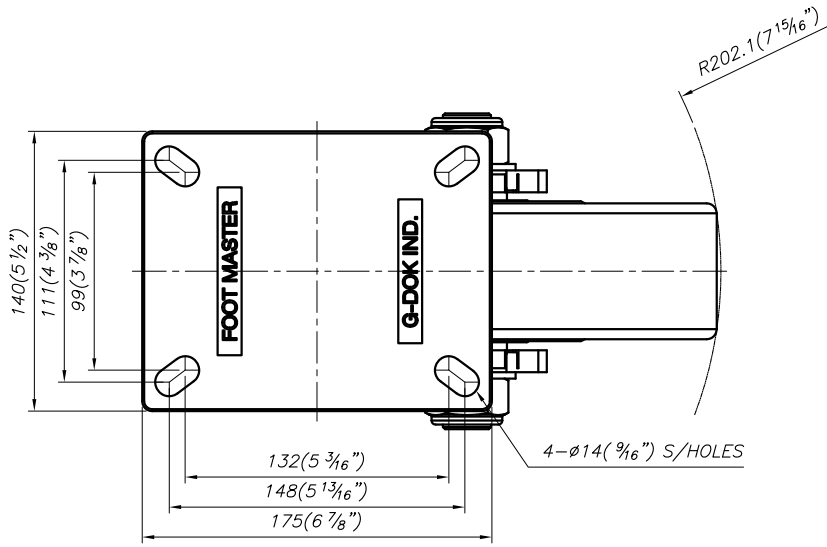


FOOT MASTER

G-DOK IND.

FOOT MASTER

G-DOK IND.



FOOT MASTER ®

FOOMA ®

G-DOK IND.

MODEL NAME

GXT-250-ASF-MCD

A

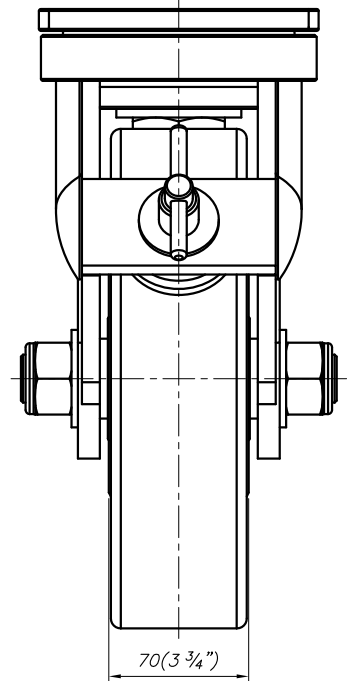
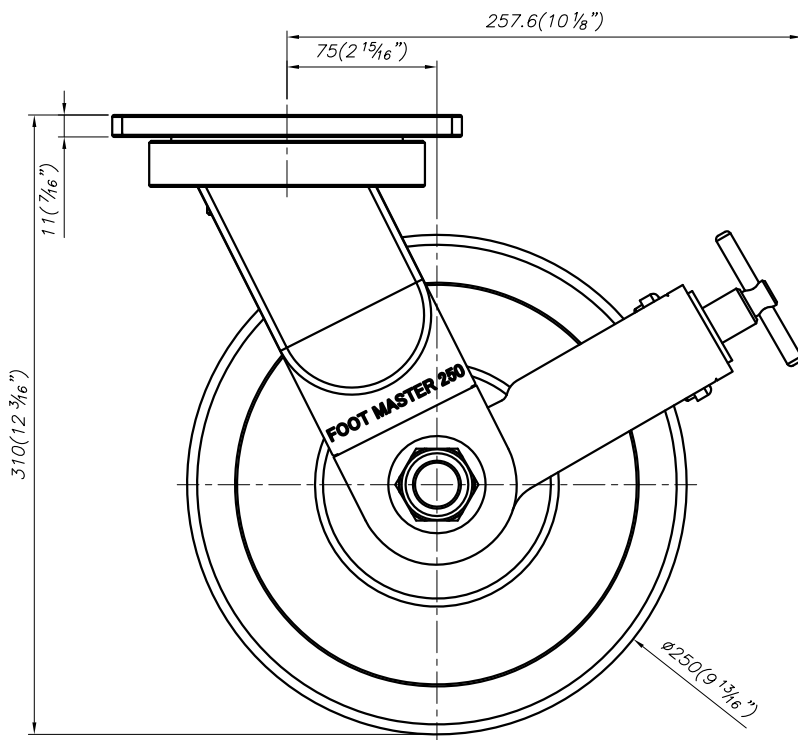
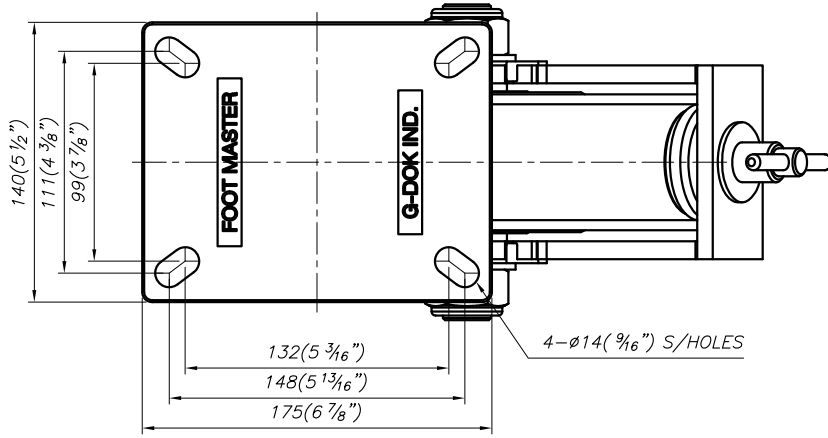
B

C

E

F

G

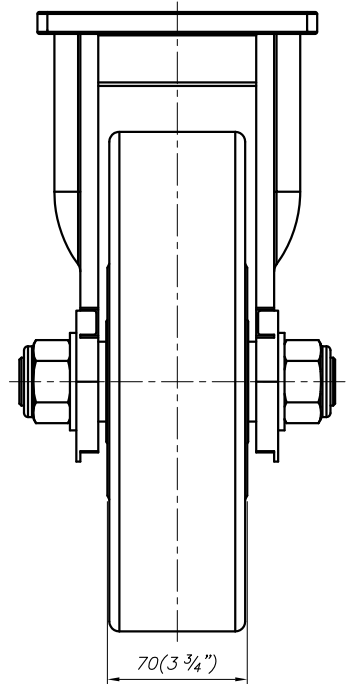
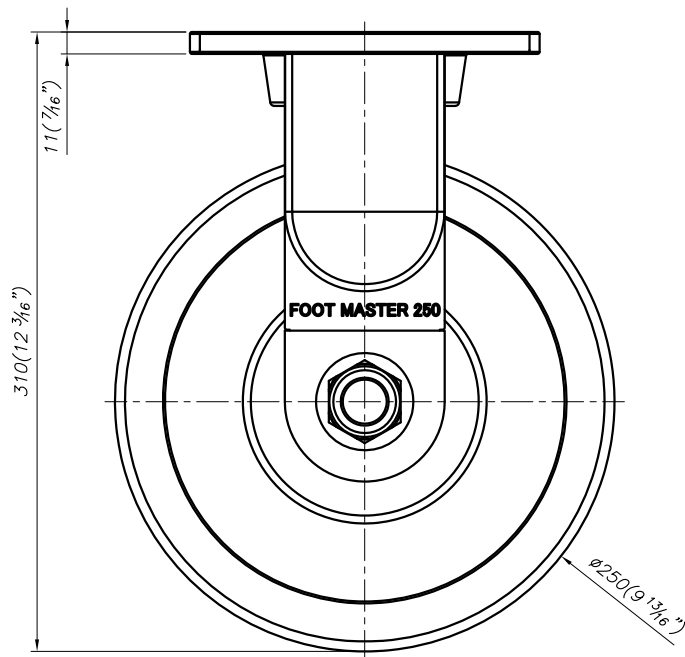
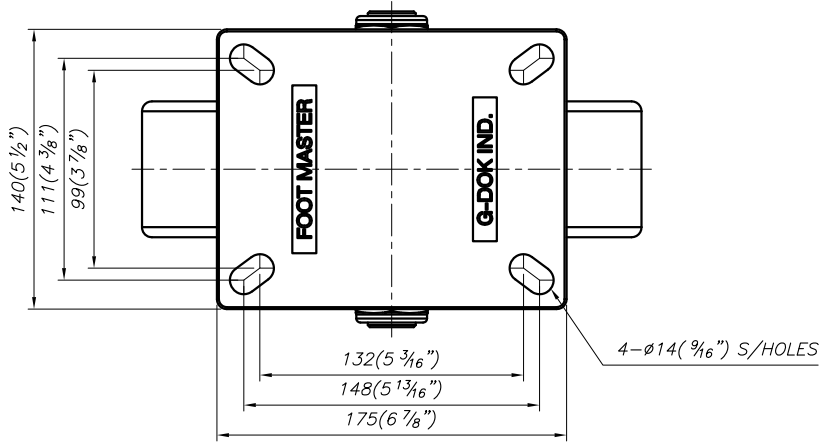


FOOT MASTER

G-DOK IND.

FOOT MASTER

G-DOK IND.



FOOT MASTER [®]

FOOMA [®]

G-DOK IND.

MODEL NAME

GXT-250-ARF-MCD

A

B

C

E

F

G