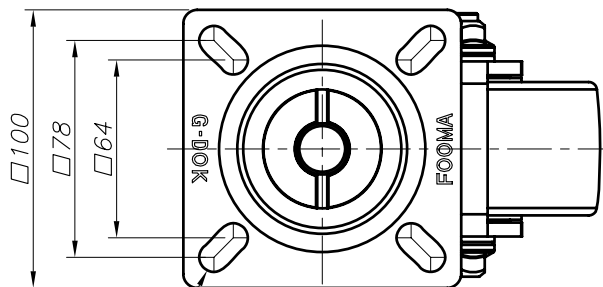


1 2 3 4 5 6 7 8 9 0

A

B

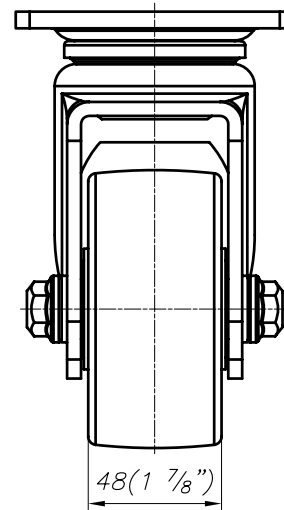
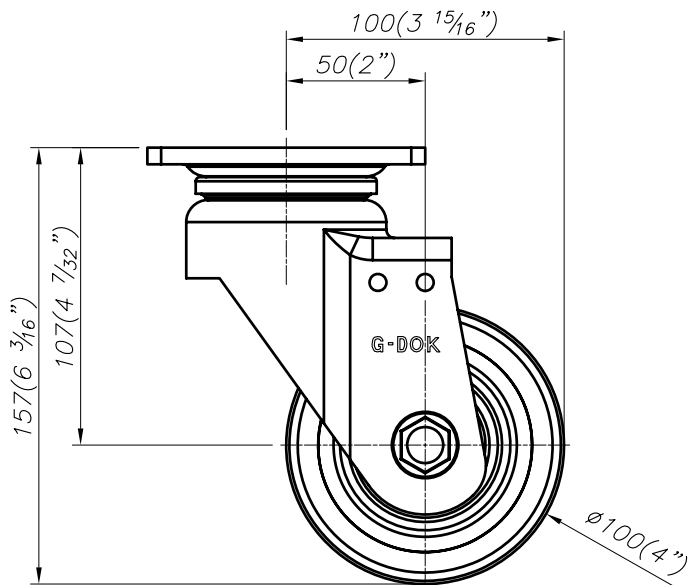
C



4- $\phi 10.5(13/32)$ SLOT HOLES
FOR M10 BOLT

E

F



G

FOOT MASTER[®]

FOOMA[®]

 G-DOK IND.

MODEL NAME

PHS-100-ASF

1 2 3 4 5 6 7 8 9 0

G-DOK IND.

FOOT MASTER

G-DOK IND.

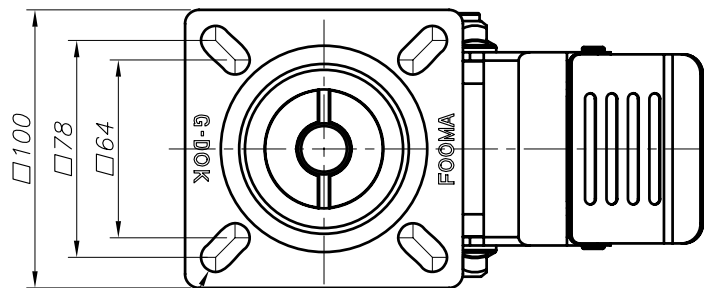
FOOT MASTER

1 2 3 4 5 6 7 8 9 0

A

B

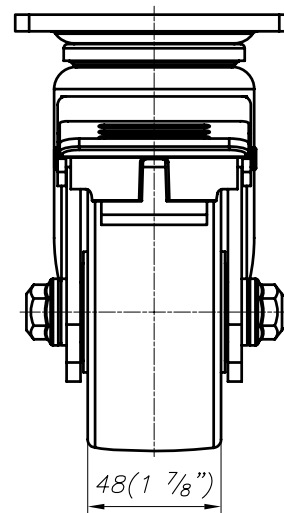
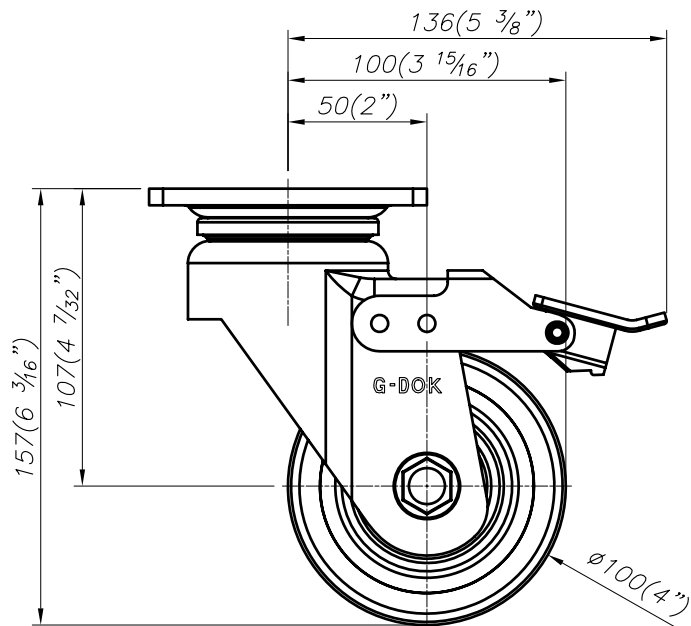
C



4- $\phi 10.5(13/32)$ SLOT HOLES
FOR M10 BOLT

E

F



G

FOOT MASTER®

FOOMA®

G-DOK IND.

MODEL NAME

PHS-100-BSF

1 2 3 4 5 6 7 8 9 0

G-DOK IND.

FOOT MASTER

G-DOK IND.

FOOT MASTER