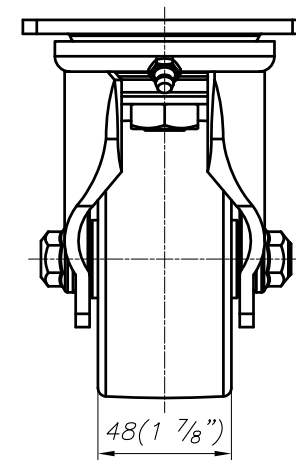
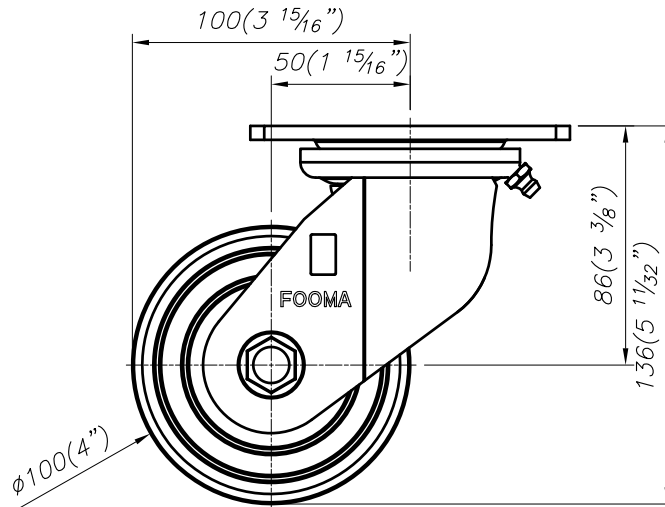


4- ϕ 11 (7/16") SLOT HOLES
FOR M10 BOLT



WHEEL : HUD, MCD, NYD

FOOT MASTER®

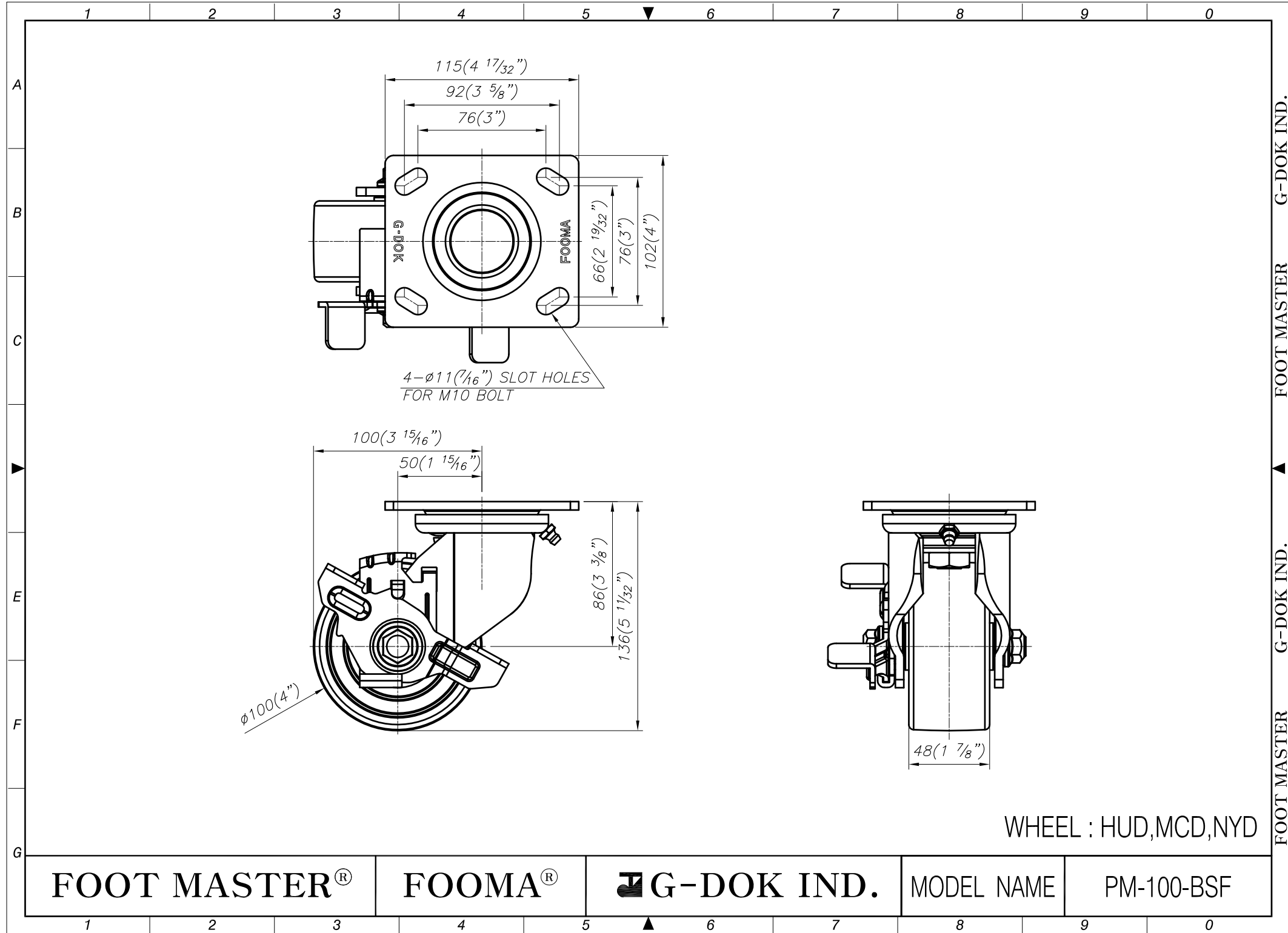
FOOMA®

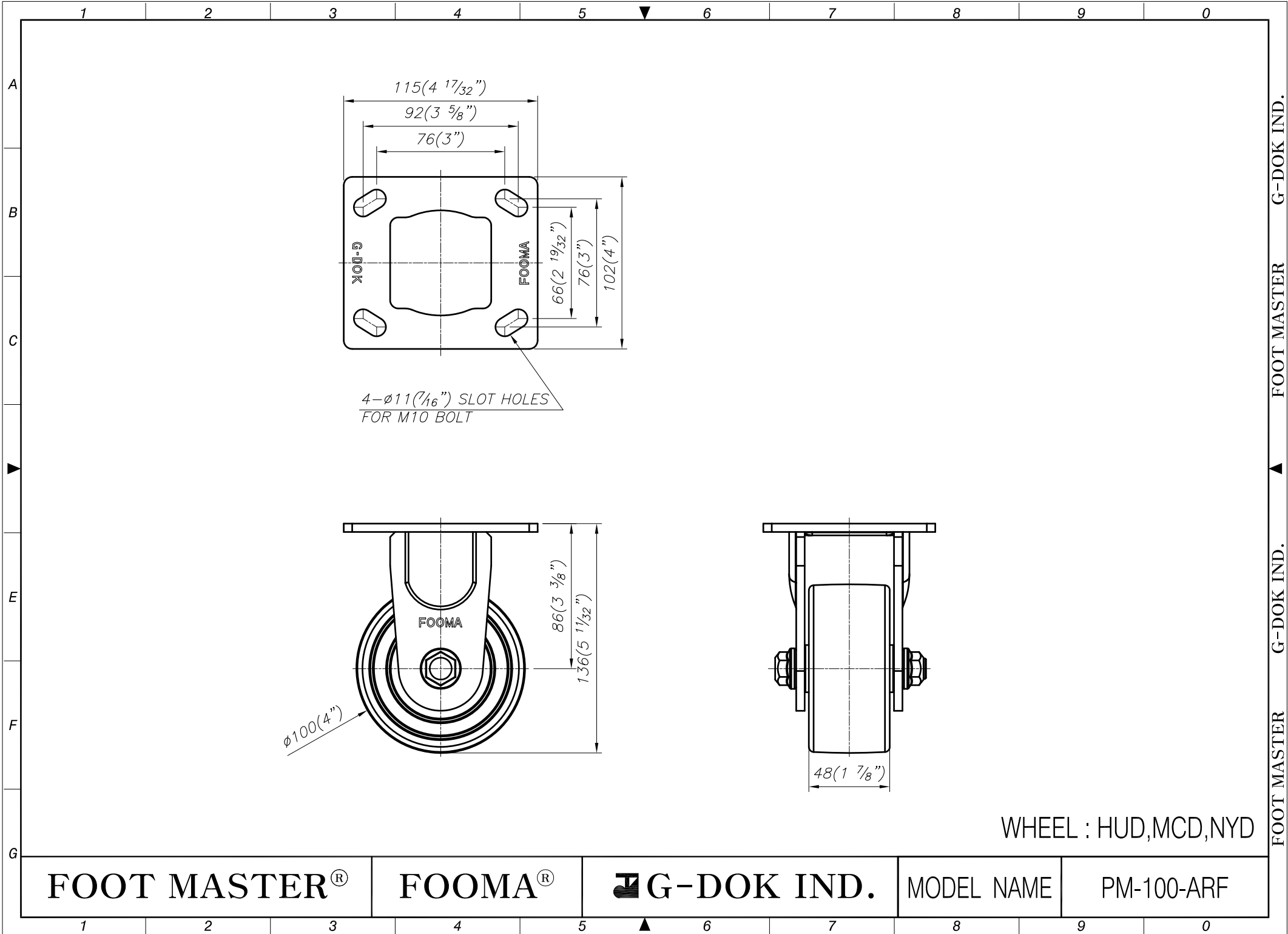
G-DOK IND.

MODEL NAME

PM-100-ASF

FOOT MASTER G-DOK IND. FOOT MASTER G-DOK IND. FOOT MASTER G-DOK IND.





WHEEL : HUD, MCD, NYD

FOOT MASTER®

FOOMA®

G-DOK IND.

MODEL NAME

PM-100-ARF

FOOT MASTER G-DOK IND. FOOT MASTER G-DOK IND. FOOT MASTER G-DOK IND.