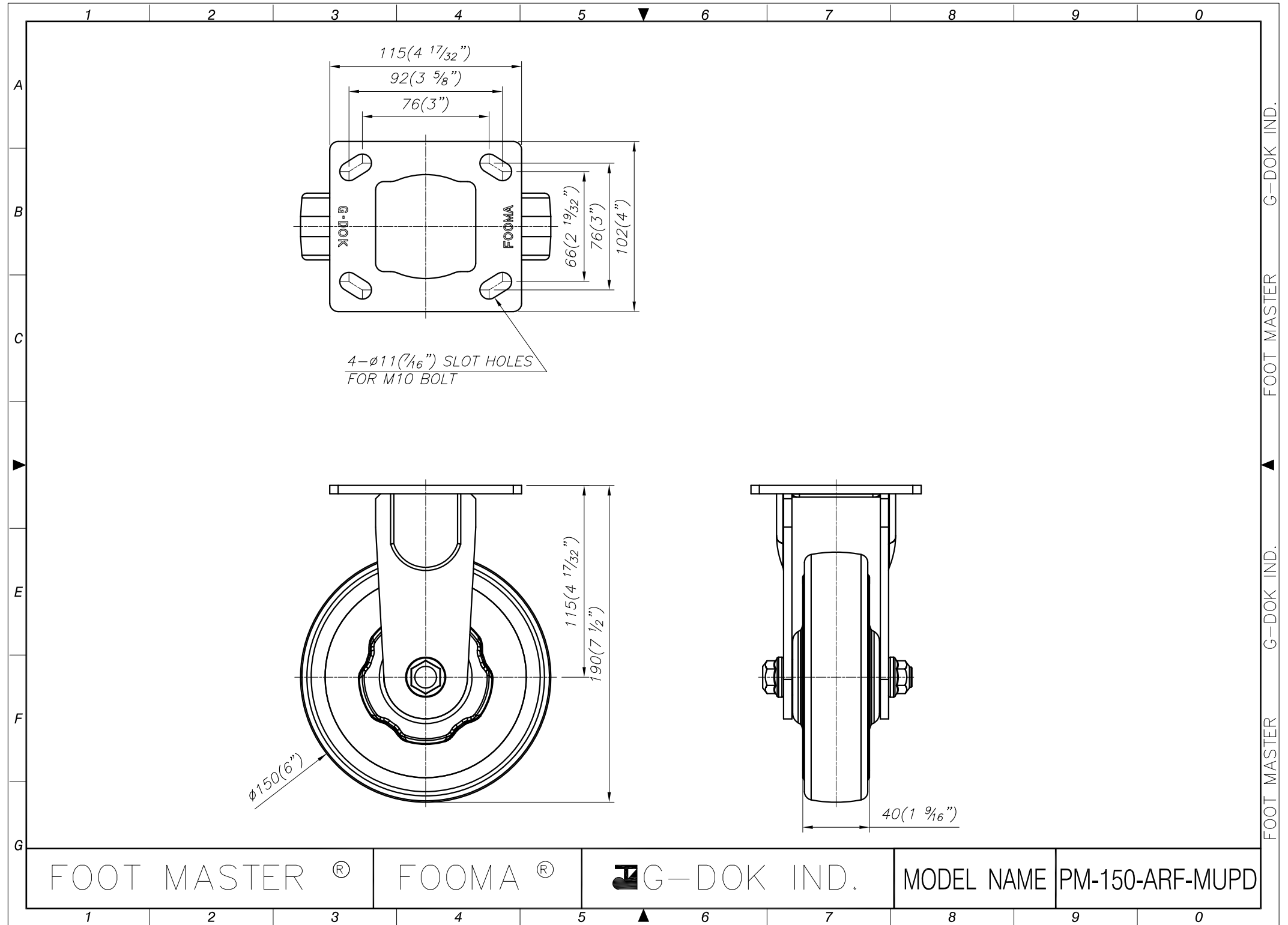


FOOT MASTER G-DOK IND.



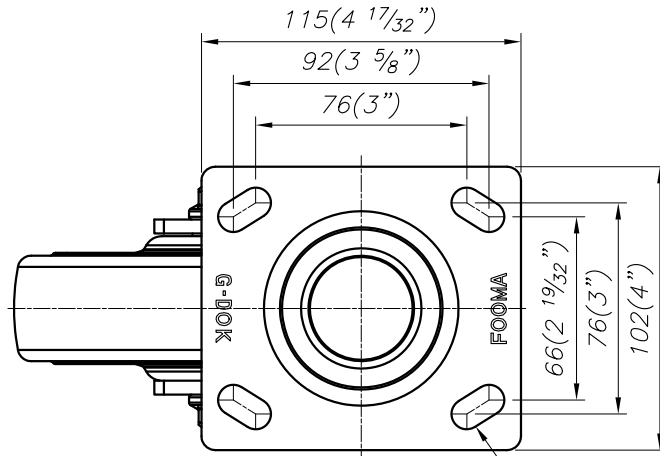
FOOT MASTER<sup>®</sup>

FOOMA<sup>®</sup>

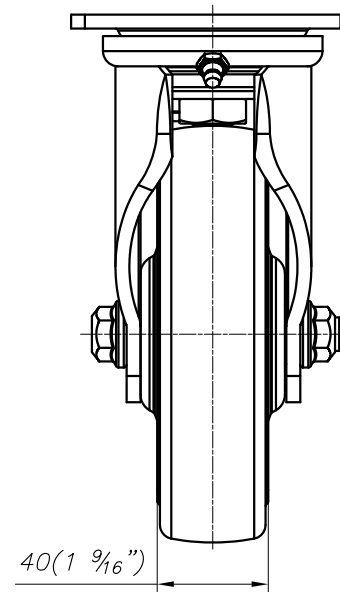
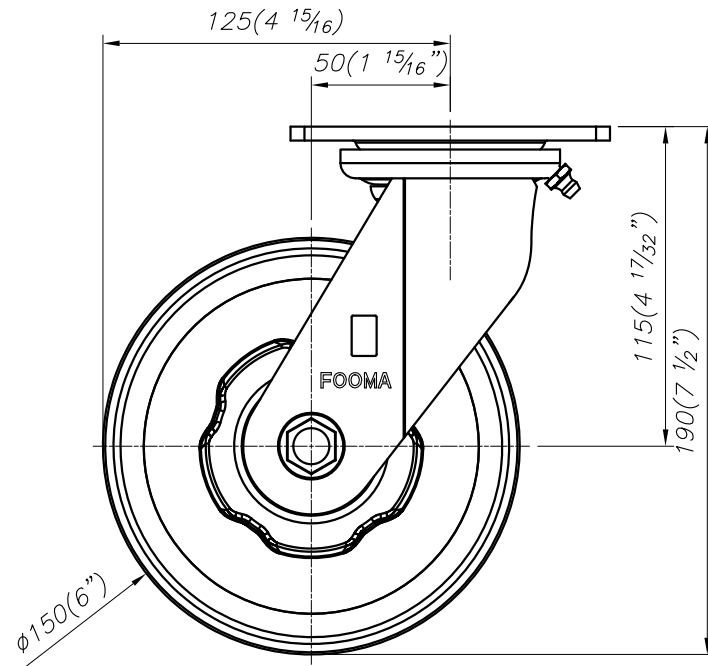
 G-DOK IND.

MODEL NAME PM-150-ARF-MUPD

FOOT MASTER G-DOK IND. FOOT MASTER G-DOK IND.



4- $\phi 11(\frac{7}{16})$  SLOT HOLES  
FOR M10 BOLT



FOOT MASTER<sup>®</sup>

FOOMA<sup>®</sup>

G-DOK IND.

MODEL NAME PM-150-ASF-MUPD

G-DOK IND.

FOOT MASTER

G-DOK IND.

FOOT MASTER